



CAN-BRAC UNIVERSAL SIGN BRACKET ASSEMBLY

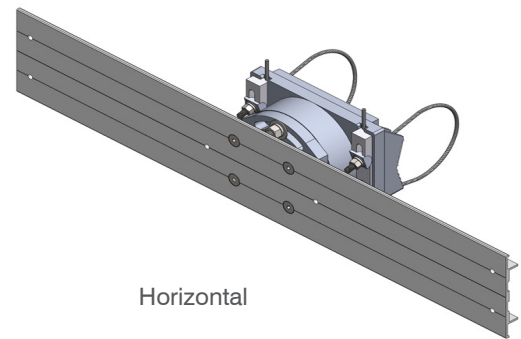
OVERVIEW

The Patented CAN-BRAC Universal Sign Bracket is a simple and efficient way to create a permanent fixture for road and traffic signs without requiring two bucket trucks. With its easy adjustability, it is simple to display informative signs for road traffic.

The sign extrusion provides reinforced backing for signs and increased support over a larger area.

FEATURES—CAN-BRAC UNIVERSAL SIGN

- Ease of installation
- 72 degrees of rotation adjustments
- Vertical or horizontal configurations
- Extrusion is available in pre-cut lengths from 12" to 96"
- Stainless steel hardware and aircraft cable
- Mounts on tenons from 2-3/8" and larger, limited only by cable length



Horizontal

CONTACT US AT 1-844-668-6848



CAN-BRAC UNIVERSAL SIGN BRACKET ASSEMBLY

ORDERING INFORMATION

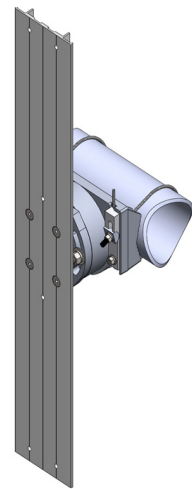
PART NUMBER	DESCRIPTION
CUS-E24-48	CAN-BRAC Universal Sign Mount, 24" Extrusion, 48" Cable
CUS-E36-48	CAN-BRAC Universal Sign Mount, 36" Extrusion, 48" Cable
CUS-E48-48	CAN-BRAC Universal Sign Mount, 48" Extrusion, 48" Cable
CUS-E60-48	CAN-BRAC Universal Sign Mount, 60" Extrusion, 48" Cable
CUS-E72-48	CAN-BRAC Universal Sign Mount, 72" Extrusion, 48" Cable
CUS-E96-48	CAN-BRAC Universal Sign Mount, 96" Extrusion, 48" Cable
NOTE: Additional options including 96" cable and offset design available. Contact sales for details.	

SUPPORT & WARRANTY

We believe so much in the quality of our products that we offer an industry leading support and warranty program, five years of warranty from date of initial purchase. If it breaks on installation we will replace it, no questions asked.

SPECIFICATIONS

- Finish: Cast aluminum
- Material: Primary grade aluminum alloy
- Colors: Available as required. Please visit our paint page for colors.



Vertical